

REFERENCE : KI0227

SIZES : U

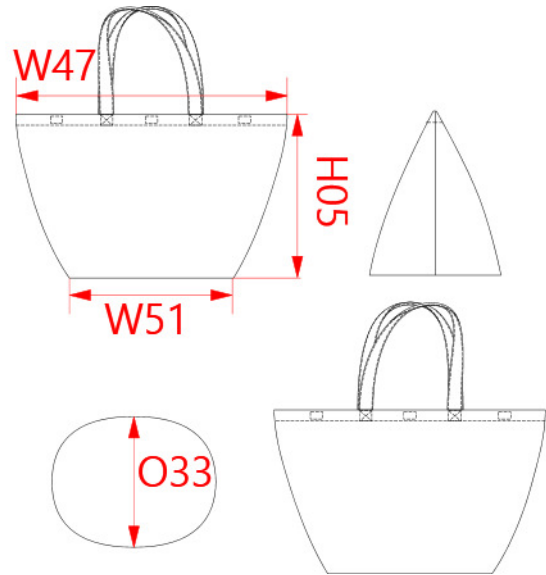
COMPOSITION :

Main fabric : Yarn dyed jacquard jute hessian 100% Jute

Fabric 1 : Cotton Sheeting 90 For inner zip pocket. 100% cotton

ARTICLE WEIGHT :

394 gr/pc



DESCRIPTION	
Français :	Cabas en toile de jute teint 100% naturel
English :	Fashionable 100% natural yarn dyed jute bag
Nederlands :	Modieuze tas van jute
Deutsch :	Gefärbte modische jutetasche aus 100% naturgarn
Español :	Bolsa de yute teñido 100% natural asas cortas
Italiano :	Borsa in iuta filato naturale
Português :	Saco em ráfia

COLORS	PANTONE SERIGRAPHIE
Black / Black	Black / Black
Cool grey / Cool grey	1C Cool grey / 1C Cool grey
Natural / Capuccino	1C Warm Gray / 438C
Natural / Blue ink	1C Warm Gray / 2747C
Natural / Natural	1C Warm Gray / 1C Warm Gray
Natural / Saffron	1C Warm Gray / 172C
Natural / Water green	1C Warm Gray / 325C

MEASUREMENT	
Description	U
H05 Hauteur totale / Total height	35
W51 Total width	35
W47 Back panel width on top	58
O33 Deep of bottom part	28

PACKING	
Box	50 pcs / box U => L:61cm W:38cm H:48cm GW:21,25Kg NW:19,7Kg