

KARIBAN

REFERENCE : K785

SIZES : 38_40_42_44_46_48_50_52_54

COMPOSITION :

Main fabric : Cotton twill 245 100% cotton

WEIGHT :

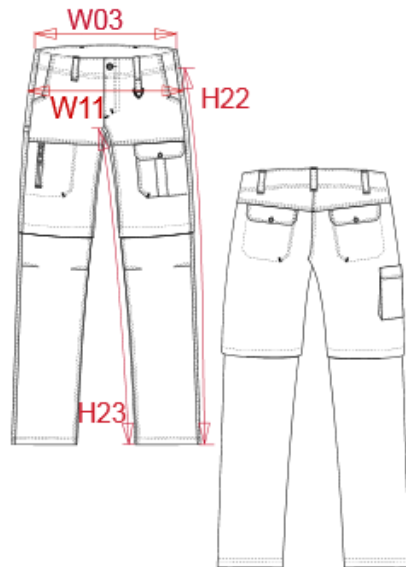
Main fabric : 245gsm

FABRIC CONSTRUCTION AND FINISHING :

Enzyme garment wash

ARTICLE WEIGHT :

550 gr/pc



DESCRIPTION	
Français :	Pantalon 2 en 1 multipoches
English :	Men's 2 in 1 multi pockets trousers
Nederlands :	Heren 2 in 1 broek met meerdere zakken
Deutsch :	2 IN 1 HERREN HOSE
Español :	Pantalón 2 en 1 multibolsillos para hombre
Italiano :	PANTALONI UOMO MULTITASCHE 2 IN 1
Português :	Calças multibolsos 2 em 1

COLORS	PANTONE SERIGRAPHIE
Black	Black
Dark beige	Warm gray 9C

MEASUREMENT										
Description	38	40	42	44	46	48	50	52	54	
W03 1/2 largeur taille / 1/2 waist width	39	41	43	45	47	50	52	54	56	
W11 1/2 bassin / 1/2 hip width	49,50	51,50	53,50	55,50	57,50	60,25	62,25	64,25	66,25	
H22 Longueur côté pantalon / Trousers side length	105,60	106,40	107,30	108	109	110	110,80	111,60	112,50	
H23 Longueur entrejambe pantalon / Trousers side leg length	83,50	83,75	84	84,25	84,50	84,75	85	85,25	85,50	

CARE LABEL				

PACKING	
Box	20 pcs / box 38-40 => L:62cm W:40cm H:25cm GW:12.10kg NW:10.76kg 42 => L:62cm W:40cm H:25cm GW:12.50kg NW:11.16kg 44 => L:62cm W:40cm H:25cm GW:12.90kg NW:11.56kg 46 => L:62cm W:40cm H:25cm GW:13.30kg NW:11.96kg 48-50 => L:62cm W:40cm H:25cm GW:13.70kg NW:12.36kg 52 => L:62cm W:40cm H:25cm GW:14.10kg NW:12.76kg 54 => L:62cm W:40cm H:25cm GW:14.50kg NW:13.16kg