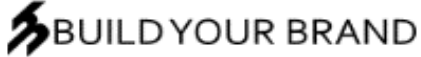
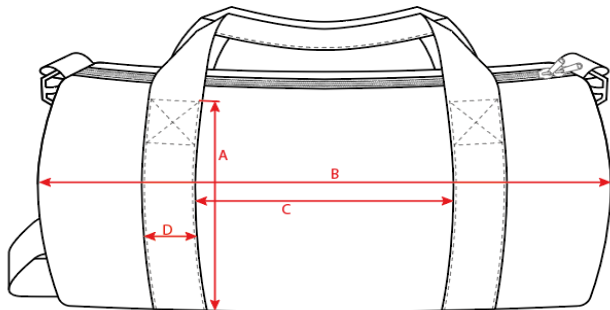
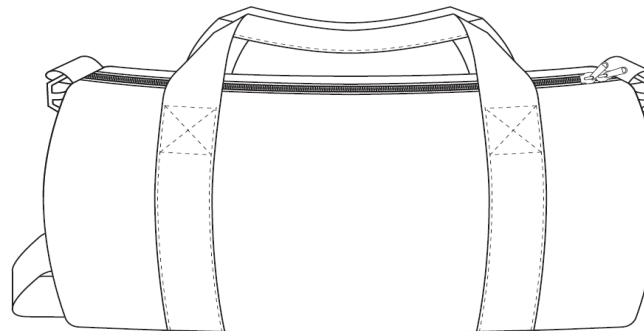
	<b>Masterdata-Sheet</b>			Date:	29.05.2020		
	<b>style No.:</b>	BY061	<b>grammage:</b>	-	<b>packing unit:</b>		-
	<b>sizes:</b>	onesize	<b>country of origin:</b>	china	<b>packing measurement:</b>		59/39/39 cm
	<b>season:</b>	-	<b>HS-code:</b>	42029291	<b>weight per piece:</b>		-
						<b>fit definition:</b>	-

**measurements:**



BY126	ONESIZE
height (A)	26cm
total length (B)	50cm
distance between straps (C)	21cm
strap width (D)	5cm

**sketch:**



**carelabel:**

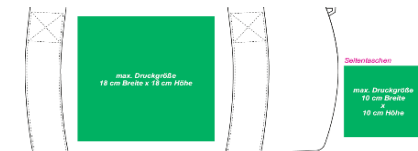


iron on reverse  
 reshape during wet  
 wash before wearing

**material composition:**

- 50% polyester, 50% PVC

**details:**



**product description:**

With a large inner compartment and two open pockets on the outside, the Weekender provides space for everything, from sports equipment to the overnight essentials. With a shoulder strap, two carry straps and robust material in mottled canvas look.

**special features:**

-